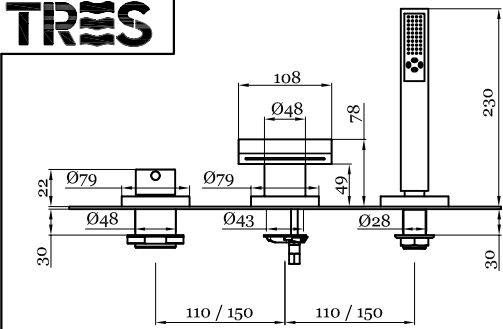
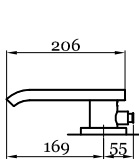
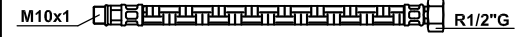


1.62.161
 1.62.161.30
 1.62.161.60
 1.62.161.70
 1.62.161.80
 1.62.161.90

TRES



a (x3)



b (x1)



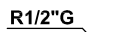
c (x1)



d (x1)



e (x1)



g (x1)

